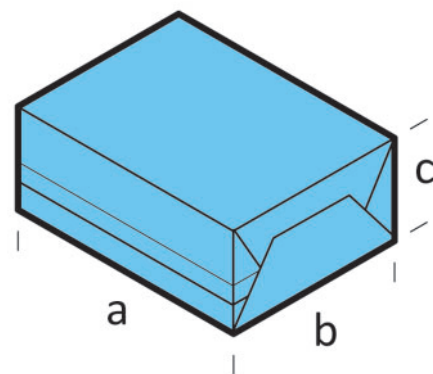


TM Series

- Trailing edge seal presentation
- Servo driven film feed and transfer pusher
- Simple and fast pack size changeover



Model	TM 100 series
Speed	60 overwraps per minute*
'a' pack length	45-300mm
'b' pack width	40-200mm
'c' pack height	15-125mm

* Maximum for this range, output speed depends on pack size. Other range, speeds and pack size capabilities are available.

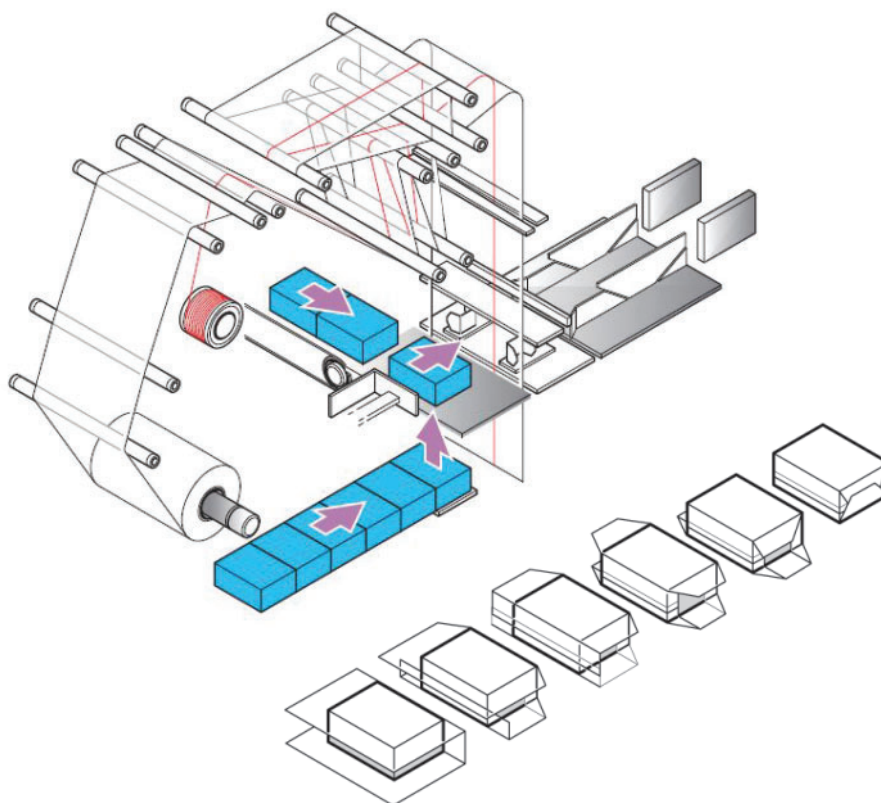
All ME TM series overwrappers comply with international safety standards, are supplied fully guarded and CE marked.

Standard fitments include:

- Servo driven film feed
- Servo driven transfer pusher
- Beckhoff PLC & HMI
- External side loading film reel, expanding mandrel type
- Simple and fast pack size changeover

Optional fitments include:

- Tear tape applicator
- Print registration facility
- Dual film slitler with powered waste take-up
- Flock finish on pack contact parts
- Cosmetic quality spot or bar end seal profiles
- Individual pack transportation through folding deck and end sealers
- Pack infeed conveyor either inline or side entry
- Allen Bradley or Siemens control system
- Automatic product collator



Optional cosmetic quality spot seal





enhance



protect



secure

Marden Edwards, founded more than 50 years ago, is the world leader in the development, design, manufacture and supply of overwrapping and packaging machinery. Over 10,000 overwrapping systems have been manufactured in our UK factories and supplied into more than 150 countries worldwide.

A complete range of tuck and fold overwrapping machines cover a wide range of applications for a variety of products, formats, and performance. We have a comprehensive worldwide network of trade partners to ensure the permanent availability of expertise and service local to you.



OVERWRAPPING TECHNOLOGY

2 Nimrod Way, East Dorset Trade Park,
Wimborne, Dorset, BH21 7SH, UK

Tel +44 (0) 1202 861200

Fax +44 (0) 1202 861400

info@mardenedwards.com

www.mardenedwards.com

Connect with us

